

MSD INSTALLATION INSTRUCTIONS

MSD Programmable Fuel Booster PN 2351

Parts Included:

1 - Programmable Fuel Booster, PN 2351	1 - Software CD	1 - Parts Bag
1 - Harness	1 - USB Cable	

The Programmable Fuel Pump Booster will increase the voltage to the fuel pump in proportion to manifold boost pressure. The maximum voltage output is 22. The minimum output will be the battery voltage.

Note: It is recommended to have the Service Manual for your vehicle to identify the original wiring and fuel pump relay.

RATING: Continuous Power: 275 Watt, Peak Power: 375 Watt (one minute)

INSTALLATION

The MSD Fuel Pump Booster must be wired inline with the factory fuel pump relay. The factory has safety features built in, such as an inertia switch and high pressure shut-off which must be retained.

The MSD Fuel Pump Booster can be mounted in any position and is completely potted with a polyurethane compound for vibration resistance. Keep the unit away from direct engine heat sources and make sure all of the wiring reaches their connections. Also, allow access to the USB port.

Use the unit as a template and mark the mounting holes. Remove the unit and drill the holes using a 3/16" bit. Mount the unit with the supplied screws. With the unit mounted, route the wiring to their connections. Also connect the boost pressure line to the booster and intake manifold (Figure 1).

WIRING	
ORANGE (18-GAUGE, long)	OEM Fuel Pump Power (12V)
RED (12-GAUGE, long)	Pump (+) Positive lead to Fuel Pump
RED (12-GAUGE, short)	Battery (+) 12V
BLACK (12-GAUGE, short)	Battery (-) Ground

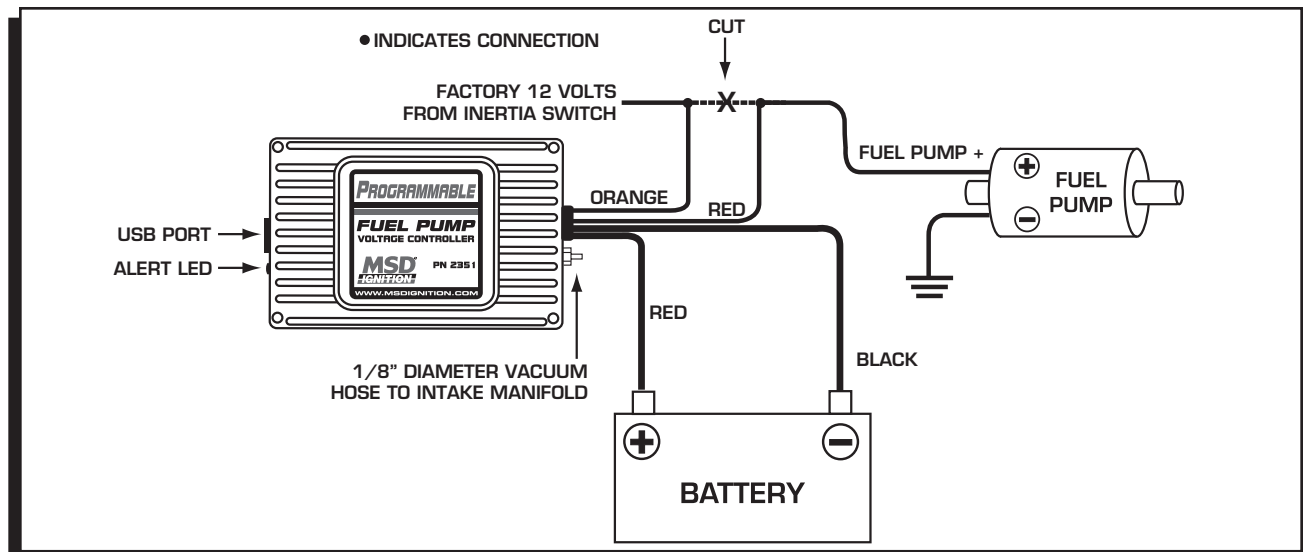


Figure 1 Recommended Wiring, General Application.

LED

The LED will blink fault codes to alert the following conditions. See charts.

LED ALERTS	
ON	Normal Operation / No Fault
OFF	USB Power with No Fault

MSDVIEW SOFTWARE INSTALLATION

In order to install and run the MSDView software, the following minimum requirements are recommended:

- Microsoft Windows XP/Vista
- Keyboard and Mouse or some other compatible pointing device.
- Video adapter and monitor (800 X 600) or higher resolution.
- Available USB port.
- .NET 2.0 or higher.
- Internet access.

Important: Exit all programs before installing the MSDView software.

Note: Internet Access is required to install the MSD View software.

1. Insert the MSD CD into your PC. The software will automatically begin the installation feature. If the 'Autorun' feature is disabled on your PC, go to: Start and select Run, Select your CD Drive, and click on the Setup exe file. The MSDView wizard will walk you through the setup.

Note: If the .net framework is not installed on your PC, the MSDView software will prompt the download and setup. Click Accept to begin the update and follow the steps (Figure 2).

2. You will need to answer several questions such as a default location, the available disk space and permissions (Figure 3). The MSDView will also place a shortcut on your desktop. Once the installation is complete, select Close to finish the installation.

BLINKING TWO DIGIT FAULT CODES	
12	Over Current (25 A)
13	Open Load (.5 A)
14	Over Temperature (135° C)
21	Under Voltage (10V)
22	Over Voltage (17V)
23	Map Sensor Out of Range
24	Untested
31	Over Voltage - On output

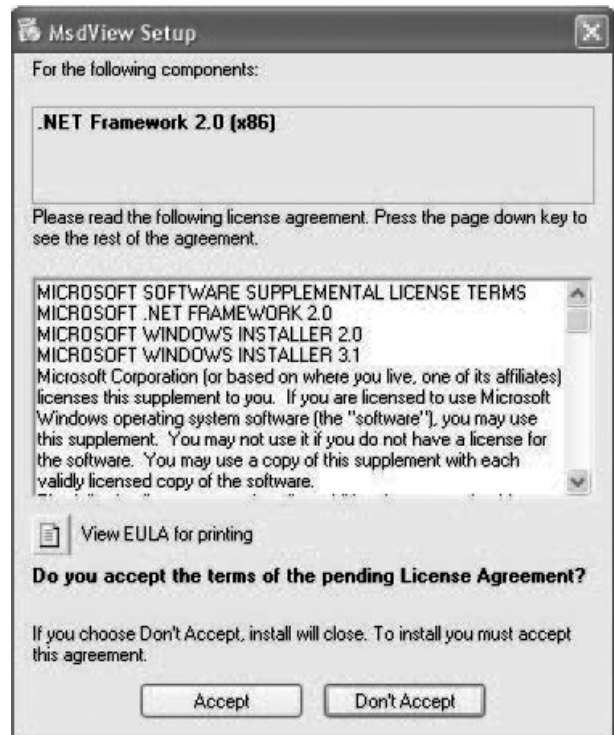


Figure 2 .NET Framework Install.



Figure 3 Select Install Folder.

TUNING

It is recommended to have a fuel pressure gauge when testing and tuning with the Programmable Fuel Pump Booster. The fuel pressure should hold steady under full boost. Use your boost pressure as a starting reference point. Use the MSDView software to make the needed adjustments for optimum performance. The following pages explain how to load and use the MSD Software (Figure 4).

In the example in Figure 4, as the MAP reading increases from 14.5 p.s.i. the pump voltage will increase.

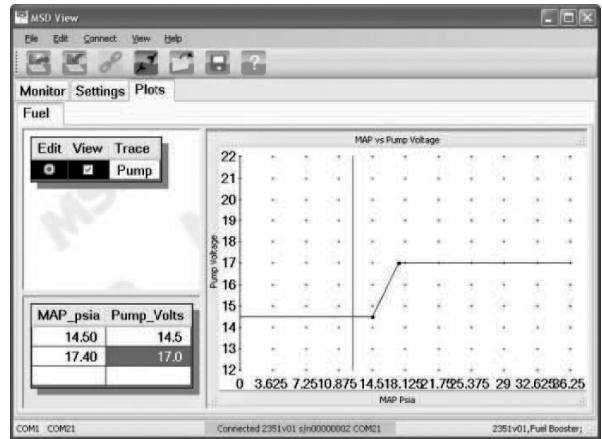


Figure 4 Sample Plot.

FIRST TIME PRODUCT CONNECTION

The first time the MSD is connected to your PC, a driver will need to be installed on your PC.

1. Connect the supplied USB harness to the PC and the MSD. The Found New Hardware Wizard window will open and walk you through the driver installation steps (Figure 5).
2. The Wizard will detect the Comm Port and install the required files. This may take a few moments.
3. The Hardware installation window will stop the setup to alert you about the installation. Click Continue Anyway and then Finish to complete the installation (Figure 6).



Figure 5 Hardware Wizard.

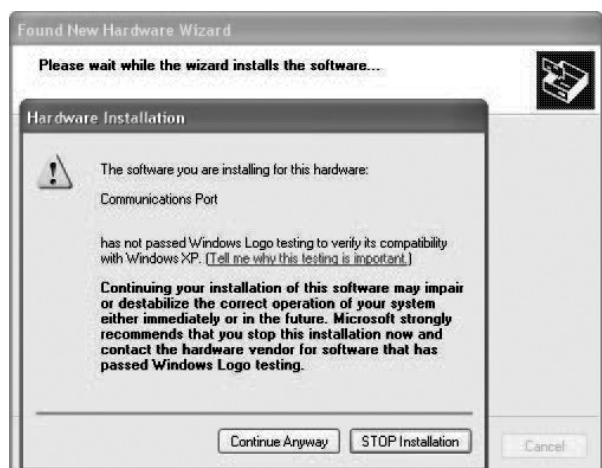


Figure 6 Windows Alert.

MSD INSTALLATION INSTRUCTIONS

USING THE MSDVIEW SOFTWARE

With the MSD connected, open the software by clicking the icon on your desktop. The screen will prompt for the MSD product part number (PN 2351) to be selected.

The MSD software is a Graphical User Interface (GUI) design that incorporates the familiar Windows style operating environment. There are three tabs that you can select; Monitor, Settings and Plots.

Monitor: The Monitor Tab allows you to view gauges for real time readings of the voltage and amps (Figure 7).

Plots: This tab will display the Trace editor, the Plot value input and window (Figure 8).



Figure 7 Gauge Selector Box.

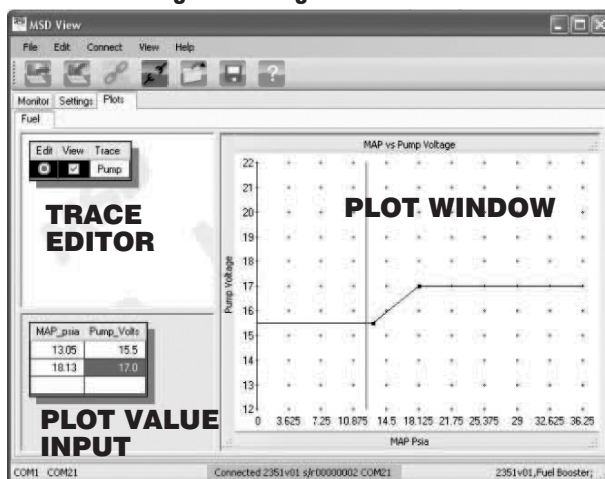


Figure 8.

Service

In case of malfunction, this MSD component will be repaired free of charge according to the terms of the warranty. When returning MSD components for warranty service, **Proof of Purchase** must be supplied for verification. After the warranty period has expired, repair service is based on a minimum and maximum fee.

All returns must have a Return Material Authorization (RMA) number issued to them before being returned. To obtain an RMA number please contact MSD Customer Service at 1 (888) MSD-7859 or visit our website at www.msdpower.com/rma to automatically obtain a number and shipping information.

When returning the unit for repair, leave all wires at the length in which you have them installed. Be sure to include a detailed account of any problems experienced, and what components and accessories are installed on the vehicle. The repaired unit will be returned as soon as possible using Ground shipping methods (ground shipping is covered by warranty). For more information, call MSD at (915) 855-7123. MSD technicians are available from 7:00 a.m. to 5:00 p.m. Monday - Friday (mountain time).

Limited Warranty

MSD warrants this product to be free from defects in material and workmanship under its intended normal use*, when properly installed and purchased from an authorized MSD dealer, for a period of one year from the date of the original purchase. This warranty is void for any products purchased through auction websites. If found to be defective as mentioned above, it will be repaired or replaced at the option of MSD. Any item that is covered under this warranty will be returned free of charge using Ground shipping methods.

This shall constitute the sole remedy of the purchaser and the sole liability of MSD. To the extent permitted by law, the foregoing is exclusive and in lieu of all other warranties or representation whether expressed or implied, including any implied warranty of merchantability or fitness. In no event shall MSD or its suppliers be liable for special or consequential damages.

*Intended normal use means that this item is being used as was originally intended and for the original application as sold by MSD. Any modifications to this item or if it is used on an application other than what MSD markets the product, the warranty will be void. It is the sole responsibility of the customer to determine that this item will work for the application they are intending. MSD will accept no liability for custom applications.