

Installation Instructions

Set # 2-3103 & Set # 2-3104

Must use existing outer metal shells. DO NOT REMOVE FROM CONTROL ARMS!!

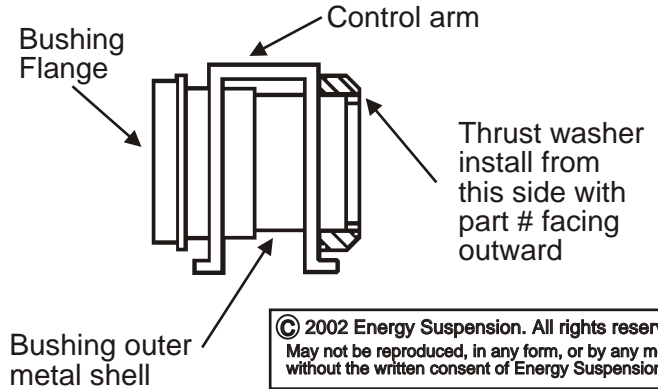
Remove old I.D. sleeve and old rubber from the shells
 Make sure the I.D. of the shells are clean and free of any old rubber

Apply a light coat of grease to the I.D. of the shell
 Apply a light coat of grease to the I.D., O.D. and the flange
 Apply a light coat of grease to the O.D. of the new metal sleeve

Install the bushing in the shell and install the sleeve last
 Apply a light coat of grease to the faces of the thrust washer that contacts the metal surfaces



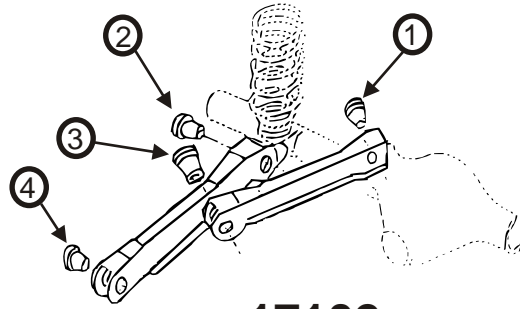
1131 VIA CALLEJON, SAN CLEMENTE, CA 92673



© 2002 Energy Suspension. All rights reserved.
 May not be reproduced, in any form, or by any means, without the written consent of Energy Suspension.

Set # 2-3103

Position	Part #
1 & 3	3102-88 bushing 3117 thrust washer
2	3103-88 bushing 3116 thrust washer
4	3209 bushing 3226 thrust washer



17102

3/21/97 KN
 Updated 14/FEB/02 BRH

Set # 2-3104

Position	Part #
1 & 3	3102-88 bushing 3117 thrust washer
2 & 4	3103-88 bushing 3116 thrust washer

Installation Instructions

Set # 2-3103 & Set # 2-3104

Must use existing outer metal shells. DO NOT REMOVE FROM CONTROL ARMS!!

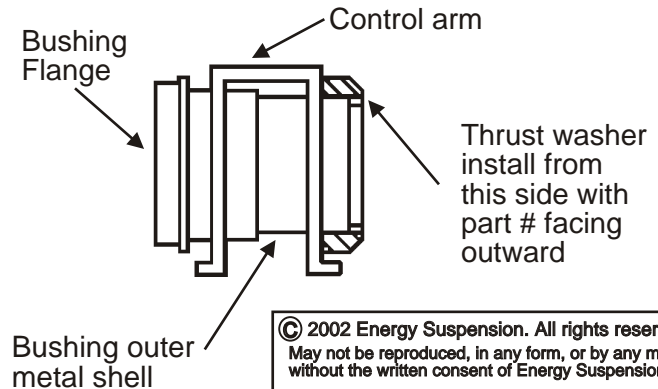
Remove old I.D. sleeve and old rubber from the shells
 Make sure the I.D. of the shells are clean and free of any old rubber

Apply a light coat of grease to the I.D. of the shell
 Apply a light coat of grease to the I.D., O.D. and the flange
 Apply a light coat of grease to the O.D. of the new metal sleeve

Install the bushing in the shell and install the sleeve last
 Apply a light coat of grease to the faces of the thrust washer that contacts the metal surfaces



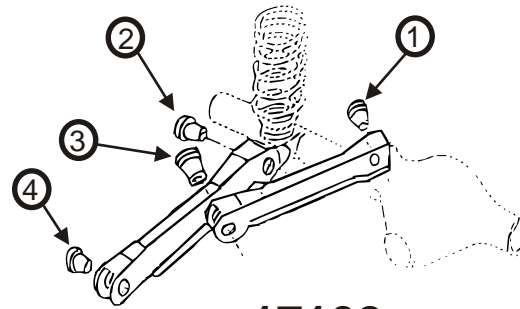
1131 VIA CALLEJON, SAN CLEMENTE, CA 92673



© 2002 Energy Suspension. All rights reserved.
 May not be reproduced, in any form, or by any means, without the written consent of Energy Suspension.

Set # 2-3103

Position	Part #
1 & 3	3102-88 bushing 3117 thrust washer
2	3103-88 bushing 3116 thrust washer
4	3209 bushing 3226 thrust washer



17102

3/21/97 KN
 Updated 14/FEB/02 BRH

Set # 2-3104

Position	Part #
1 & 3	3102-88 bushing 3117 thrust washer
2 & 4	3103-88 bushing 3116 thrust washer