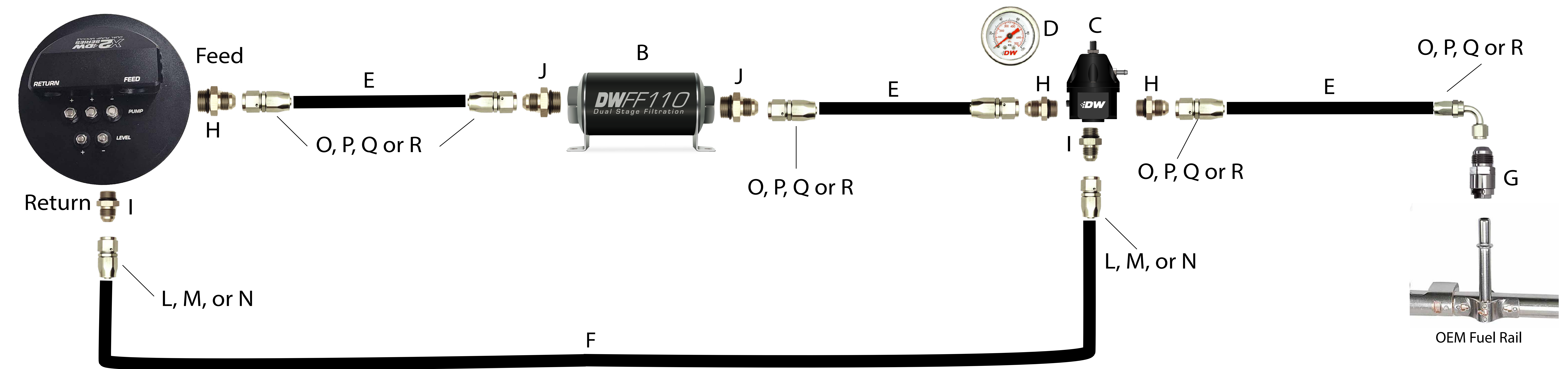


BMW E36/E46 X2 Fuel Pump Module Plumbing Diagram - CPE, OEM Fuel Rail*



Part Number Guide

Fuel System Components

A. 9-xxx-7070	X2 Module
B. 8-03-110-010K	DWFF110 Fuel Filter
C. 6-1000-FRB	DWR1000 AFPR
D. 6-01-G	Fuel Pressure Gauge

Lines:

E. 6-02-0813	8AN CPE Hose
F. 6-02-0812	6AN CPE Hose

Fittings:

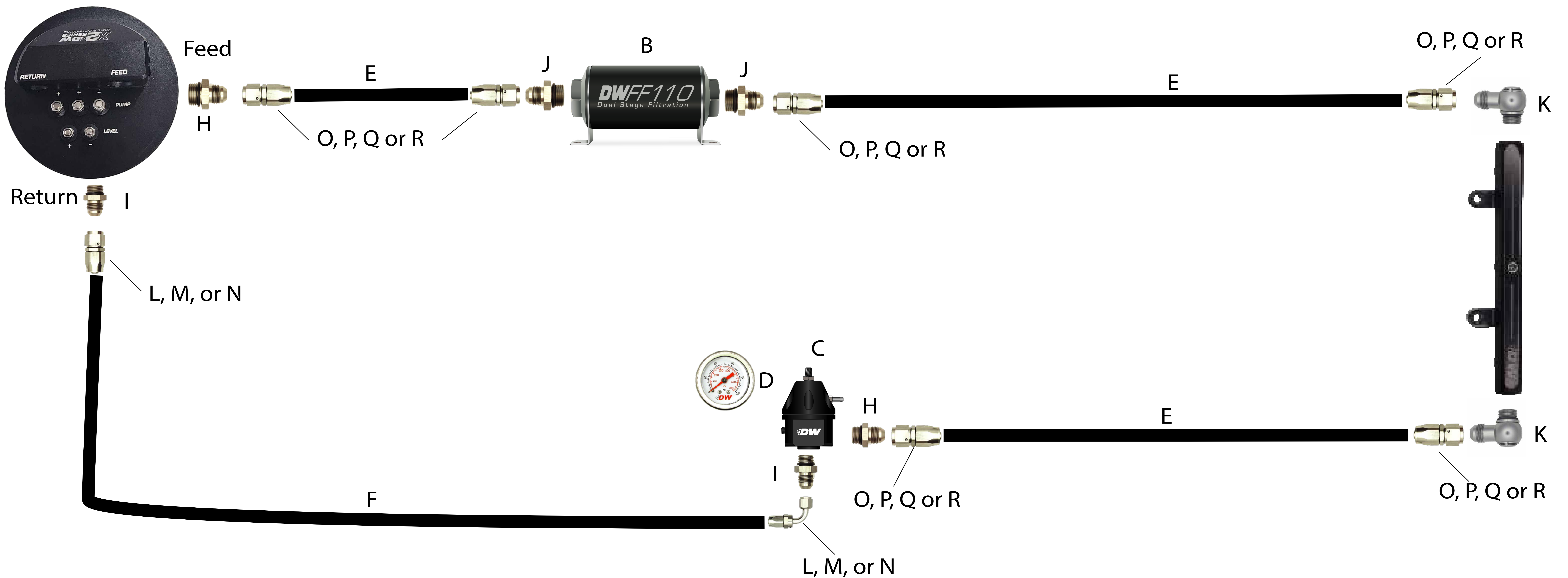
G. 6-02-0143	8AN Male Flare to 5/16" Female EFI Quick Connect
H. 6-02-0402	8AN Male ORB to 8AN Male Flare
I. 6-02-0404	6AN Male ORB to 6AN Male Flare
J. 6-02-0406	10AN Male ORB to 8AN Male Flare
K. 6-02-0416	8AN ORB to 8AN Male Flare Low Profile 90-Degree
L. 6-02-0801	6AN Female Swivel Straight Hose End
M. 6-02-0802	6AN Female Swivel 45-Degree Hose End
N. 6-02-0803	6AN Female Swivel 90 Degree Hose End
O. 6-02-0805	8AN Female Swivel Straight Hose End
P. 6-02-0806	8AN Female Swivel 45-Degree Hose End
Q. 6-02-0807	8AN Female Swivel 90-Degree Hose End
R. 6-02-0823	8AN Female Swivel 120-Degree Hose End



1992-2006 BMW 3-Series X2 Plumbing Kit
Part Number: 6-628

*Note: OEM M54 Style Rail Only

BMW E36/E46 X2 Fuel Pump Module Plumbing Diagram - CPE, 8ORB Fuel Rail



Part Number Guide

Fuel System Components

A. 9-xxx-7070	X2 Module
B. 8-03-110-010K	DWFF110 Fuel Filter
C. 6-1000-FRB	DWR1000 AFPR
D. 6-01-G	Fuel Pressure Gauge

Lines:

E. 6-02-0813	8AN CPE Hose
F. 6-02-0812	6AN CPE Hose

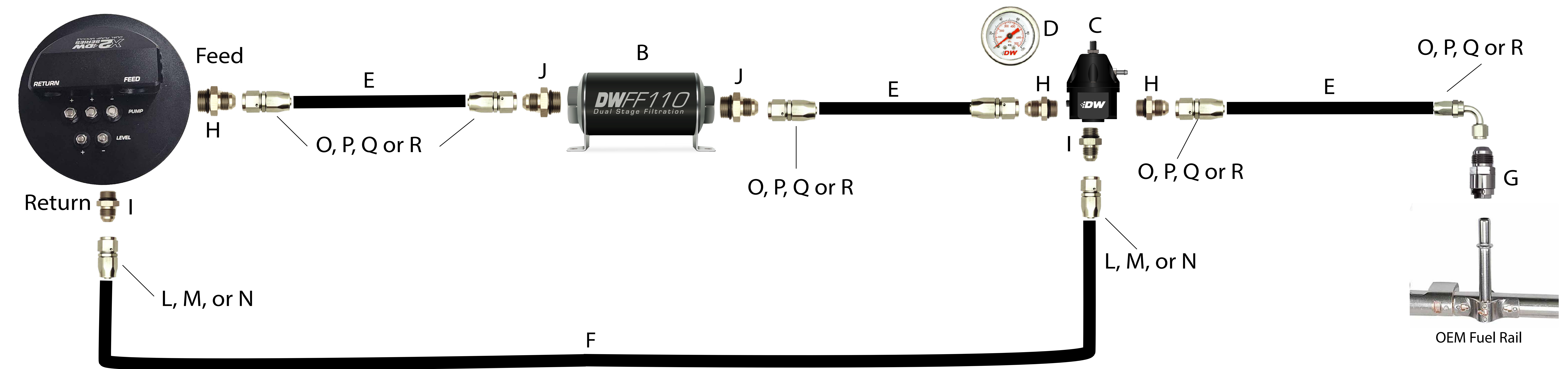
Fittings:

G. 6-02-0143	8AN Male Flare to 5/16" Female EFI Quick Connect
H. 6-02-0402	8AN Male ORB to 8AN Male Flare
I. 6-02-0404	6AN Male ORB to 6AN Male Flare
J. 6-02-0406	10AN Male ORB to 8AN Male Flare
K. 6-02-0416	8AN ORB to 8AN Male Flare Low Profile 90-Degree
L. 6-02-0801	6AN Female Swivel Straight Hose End
M. 6-02-0802	6AN Female Swivel 45-Degree Hose End
N. 6-02-0803	6AN Female Swivel 90 Degree Hose End
O. 6-02-0805	8AN Female Swivel Straight Hose End
P. 6-02-0806	8AN Female Swivel 45-Degree Hose End
Q. 6-02-0807	8AN Female Swivel 90-Degree Hose End
R. 6-02-0823	8AN Female Swivel 120-Degree Hose End



1992-2006 BMW 3-Series X2 Plumbing Kit
Part Number: 6-628

BMW E36/E46 X2 Fuel Pump Module Plumbing Diagram - PTFE, OEM Fuel Rail*



Part Number Guide

Fuel System Components

A. 9-xxx-7070	X2 Module
B. 8-03-110-010K	DWFF110 Fuel Filter
C. 6-1000-FRB	DWR1000 AFPR
D. 6-01-G	Fuel Pressure Gauge

Lines:

E. 6-02-0862	8AN PTFE Hose
F. 6-02-0861	6AN PTFE Hose

Fittings:

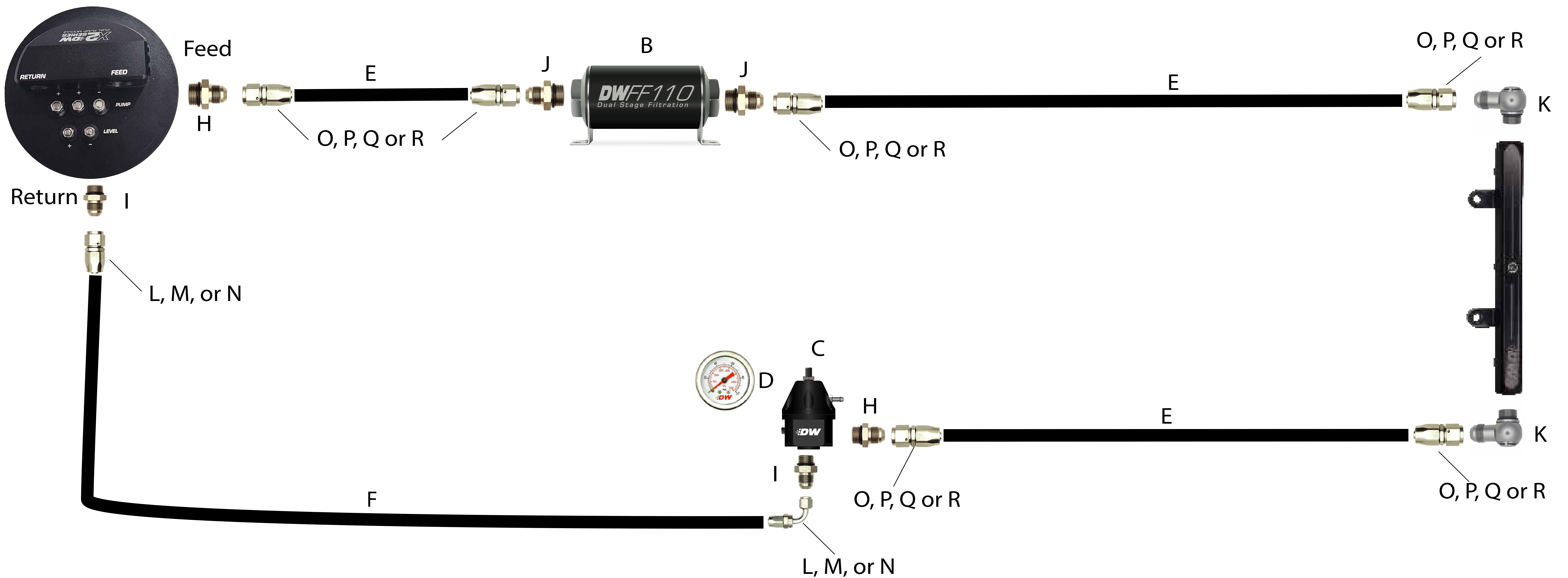
G. 6-02-0143	8AN Male Flare to 5/16" Female EFI Quick Connect
H. 6-02-0402	8AN Male ORB to 8AN Male Flare
I. 6-02-0404	6AN Male ORB to 6AN Male Flare
J. 6-02-0406	10AN Male ORB to 8AN Male Flare
K. 6-02-0416	8AN ORB to 8AN Male Flare Low Profile 90-Degree
L. 6-02-0850	6AN Female Swivel Straight Hose End
M. 6-02-0851	6AN Female Swivel 45-Degree Hose End
N. 6-02-0852	6AN Female Swivel 90 Degree Hose End
O. 6-02-0854	8AN Female Swivel Straight Hose End
P. 6-02-0855	8AN Female Swivel 45-Degree Hose End
Q. 6-02-0856	8AN Female Swivel 90-Degree Hose End
R. 6-02-0875	8AN Female Swivel 120-Degree Hose End



1992-2006 BMW 3-Series X2 Plumbing Kit
Part Number: 6-629

*Note: OEM M54 Style Rail Only

BMW E36/E46 X2 Fuel Pump Module Plumbing Diagram - PTFE, 8ORB Fuel Rail



Part Number Guide

Fuel System Components

A. 9-xxx-7070	X2 Module
B. 8-03-110-010K	DWFF110 Fuel Filter
C. 6-1000-FRB	DWR1000 AFPR
D. 6-01-G	Fuel Pressure Gauge

Lines:

E. 6-02-0862	8AN PTFE Hose
F. 6-02-0861	6AN PTFE Hose

Fittings:

G. 6-02-0143	8AN Male Flare to 5/16" Female EFI Quick Connect
H. 6-02-0402	8AN Male ORB to 8AN Male Flare
I. 6-02-0404	6AN Male ORB to 6AN Male Flare
J. 6-02-0406	10AN Male ORB to 8AN Male Flare
K. 6-02-0416	8AN ORB to 8AN Male Flare Low Profile 90-Degree
L. 6-02-0850	6AN Female Swivel Straight Hose End
M. 6-02-0851	6AN Female Swivel 45-Degree Hose End
N. 6-02-0852	6AN Female Swivel 90 Degree Hose End
O. 6-02-0854	8AN Female Swivel Straight Hose End
P. 6-02-0855	8AN Female Swivel 45-Degree Hose End
Q. 6-02-0856	8AN Female Swivel 90-Degree Hose End
R. 6-02-0875	8AN Female Swivel 120-Degree Hose End



1992-2006 BMW 3-Series X2 Plumbing Kit
Part Number: 6-629