

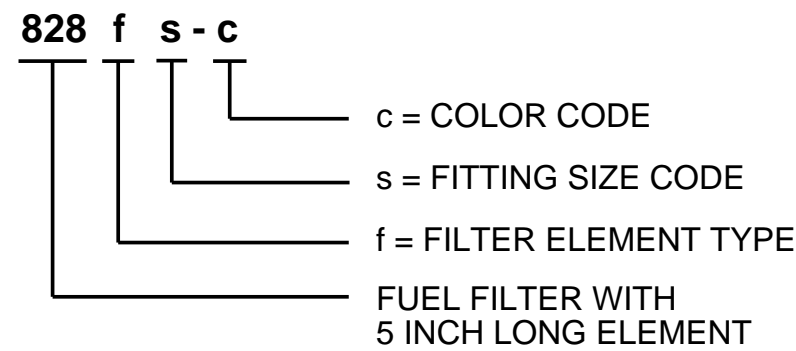
NOTES:

- THIS DRAWING DESCRIBES THE FUELAB 828xx SERIES FUEL FILTER.
- FEATURES INCLUDE:
 - TWO INTEGRATED MALE AN FITTING ENDS (ON EITHER SIDE OF FILTER)
 - AVAILABLE IN FOUR (4) FITTING SIZES FOR BOTH ENDS
 - AVAILABLE WITH FOUR (4) ELEMENT TYPES
 - BILLET ALUMINUM CONSTRUCTION WITH FLUOROSILICONE SEALS.
- FUEL COMPATIBILITY INCLUDES:
 - GASOLINE (PUMP OR RACE)
 - METHANOL
 - ETHANOL (INCLUDING E85)
 - DIESEL

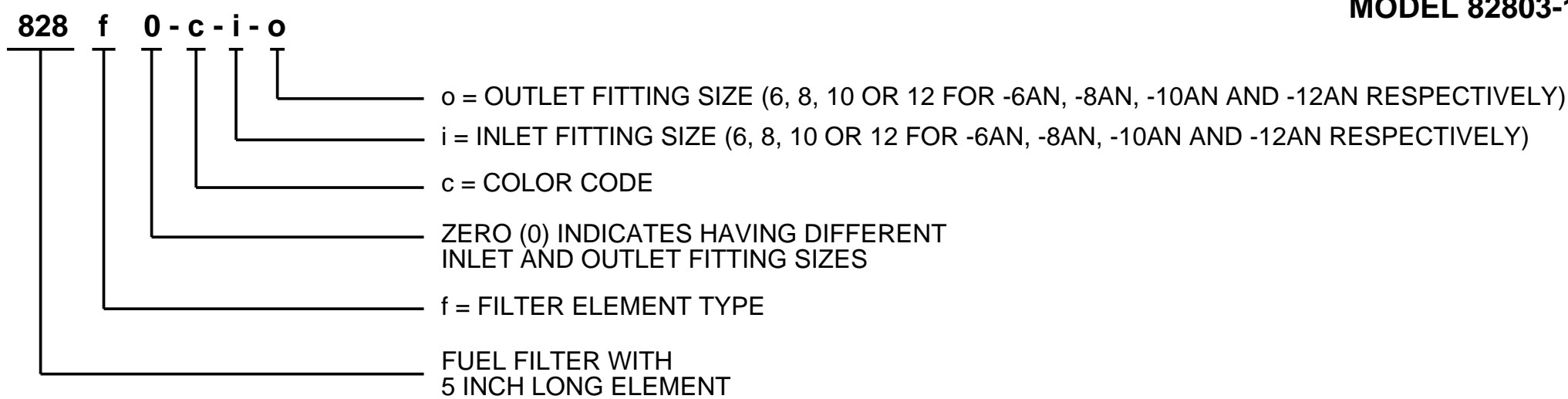
SPECIAL NOTE: CELLULOSE ELEMENTS HAVE COMPATIBILITY WITH GASOLINE (PUMP OR RACE) AND DIESEL FUELS ONLY!
- UNIQUE SERIAL NUMBER DOES NOT CONTAIN DIRECT INFORMATION IN DETERMINING MODEL NUMBER. CONTACT FUELAB FOR DETERMINATION OF MODEL NUMBER BASED ON SERIAL NUMBER.
- TWO (2) SADDLE CLAMPS AND INSTRUCTIONS INCLUDED, BAGGED SEPARATELY FROM FILTER.
- REFERENCE DRAWING 1080202A1 FOR ASSEMBLY INSTRUCTIONS.
- SEE TABLES BELOW FOR DETERMINATION OF DESIRED MODEL NUMBER.

MODEL NUMBER SCHEME:

HAVING SAME INLET AND OUTLET FITTING SIZES:



HAVING DIFFERENT INLET AND OUTLET FITTING SIZES:



COLOR CODE, c

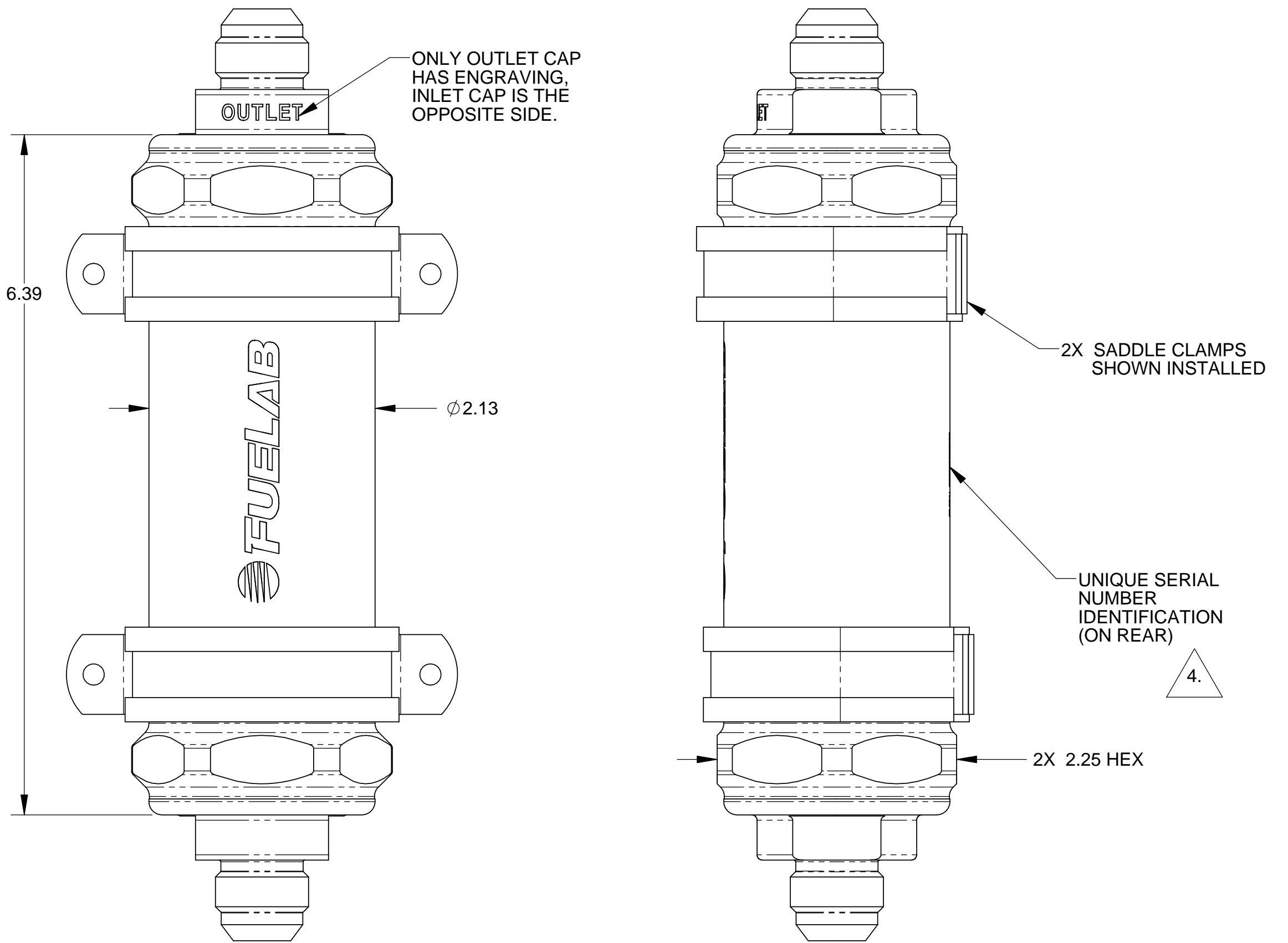
| C | CODE | BODY COLOR |
|---|--------|------------|
| 1 | BLACK | BLACK |
| 2 | RED | CLEAR |
| 3 | BLUE | CLEAR |
| 4 | PURPLE | CLEAR |
| 5 | GOLD | BLACK |
| 6 | GREEN | CLEAR |

FITTING SIZE CODE, s

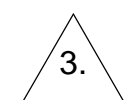
| S | CODE |
|---|---------------------------|
| 0 | CUSTOM, ADD -I-O TO MODEL |
| 1 | -6 AN |
| 2 | -8 AN |
| 3 | -10 AN |
| 4 | -12 AN |

FILTER ELEMENT TYPE, f

| C | MATERIAL | MICRON RATING |
|---|-------------------|---------------|
| 0 | CELLULOSE (PAPER) | 10μ RELATIVE |
| 1 | STAINLESS STEEL | 40μ RELATIVE |
| 2 | STAINLESS STEEL | 75μ RELATIVE |
| 3 | MICRO-FIBERGLASS | 6μ ABSOLUTE |



MODEL 82803-1 SHOWN ABOVE AS EXAMPLE



UNLESS OTHERWISE SPECIFIED:
 INTERPRET DWG PER ANSI Y14.5
 DIMENSIONS ARE IN INCHES
 TOLERANCES:
 FRACTIONAL: ±1/64"
 ANGULAR: ±1/2°
 DECIMALS:
 X±1 .XX±0.03 .XXX±0.010
 SURFACE FINISH: 128 OR BETTER
 BREAK ALL SHARP EDGES: 010 MAX
 REMOVE ALL BURRS

THIRD ANGLE PROJECTION

DO NOT SCALE DRAWING

FUELAB
 DIGITAL FUEL DELIVERY
 Litchfield, Illinois

TITLE:
FILTER, 828xx SERIES

| | | |
|----------|------------------|----------|
| SIZE | DWG. NO. | REV |
| C | 108020200 | A |

SCALE: 1/1 WEIGHT: 1.1 LB SHEET: 1 OF 1